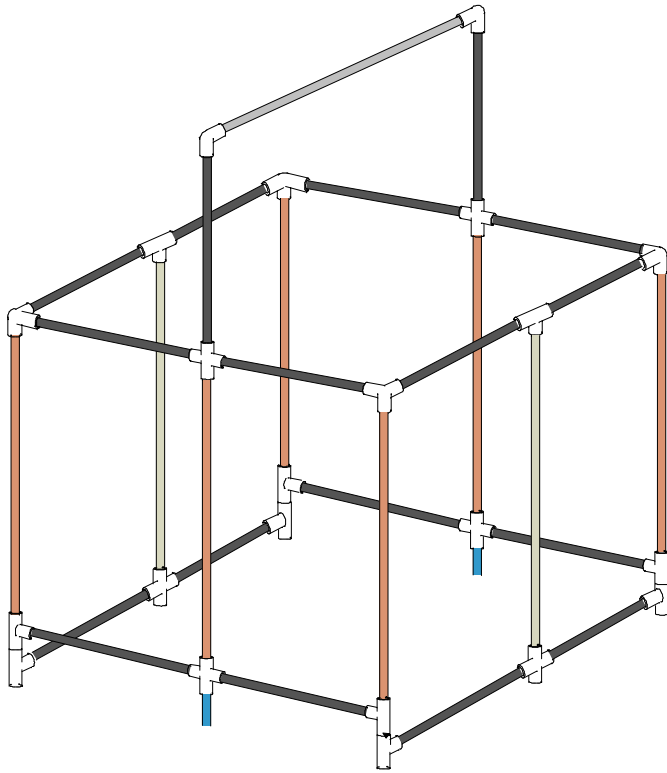
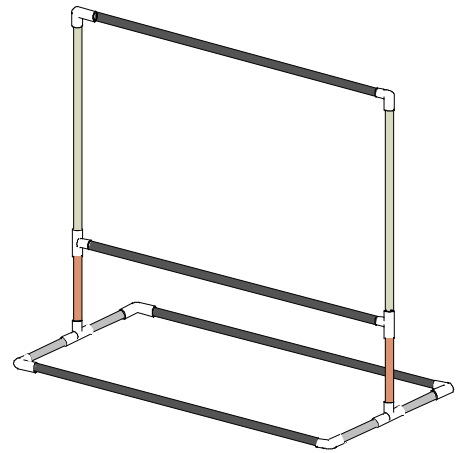


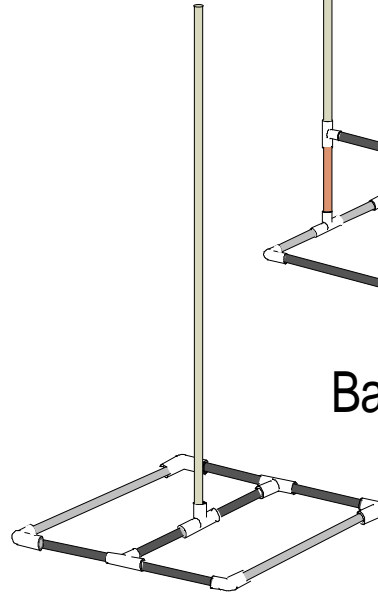
# Perfectly Versatile Campsite



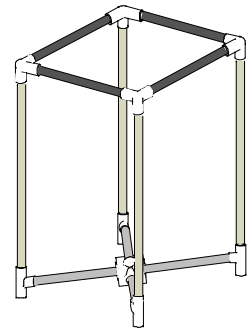
Food Preparation Table



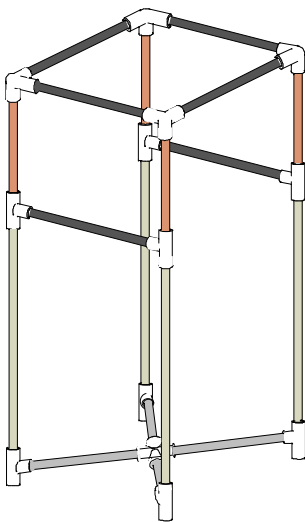
Banner Frame



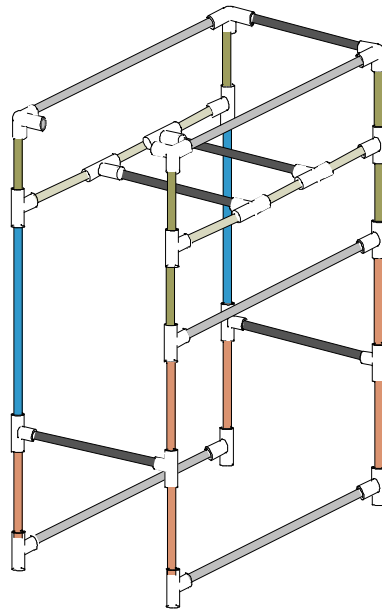
Flag Pole



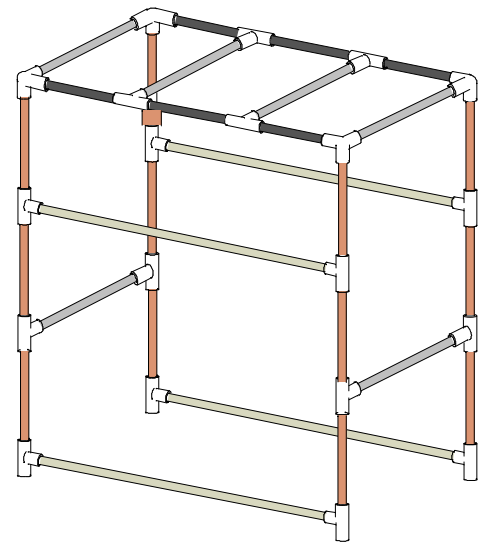
Trash Stand



Wash Stand

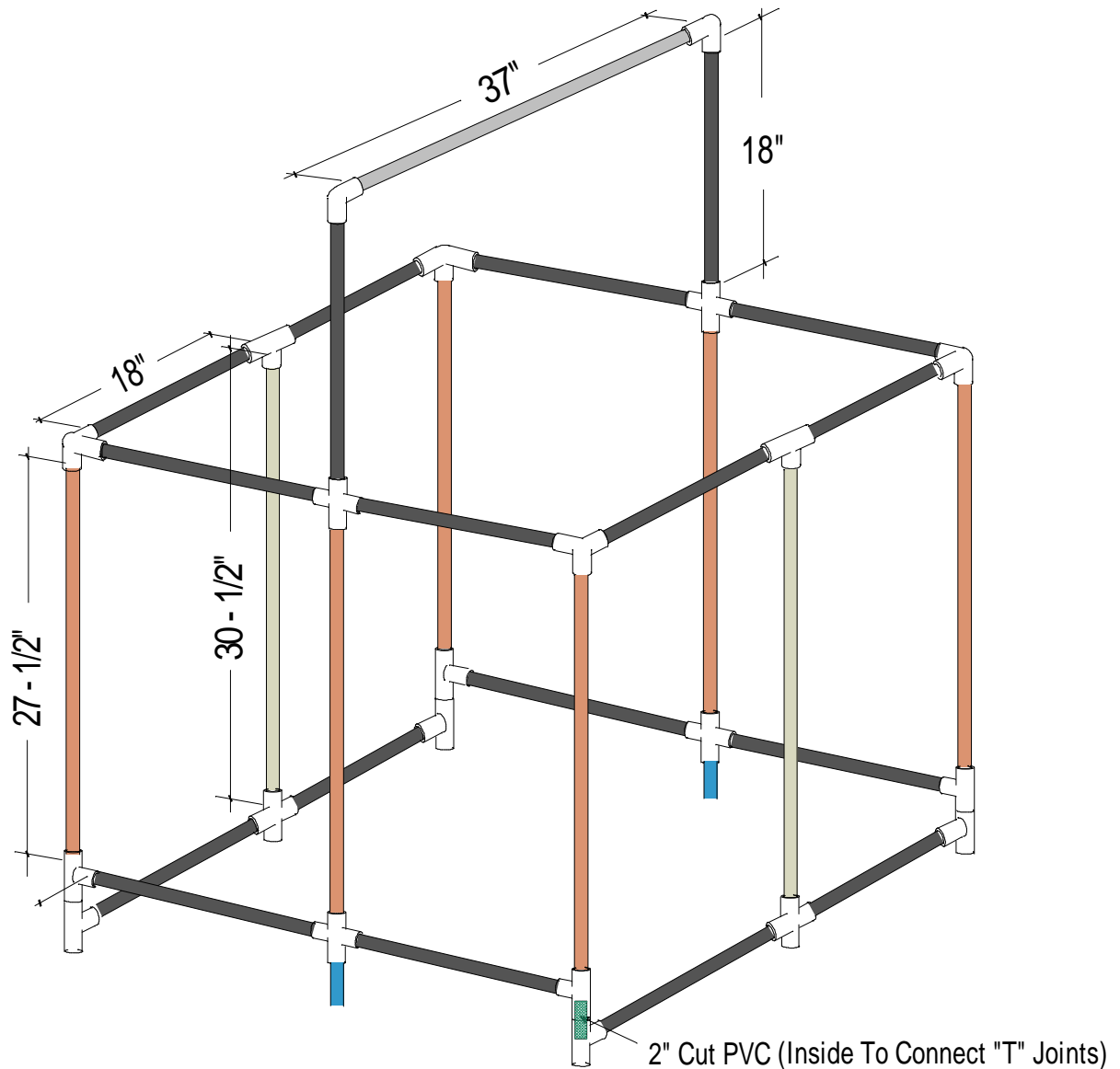


Hand Wash Stand








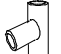

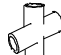

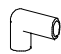
Dishwashing Stand

# Food Preparation Table

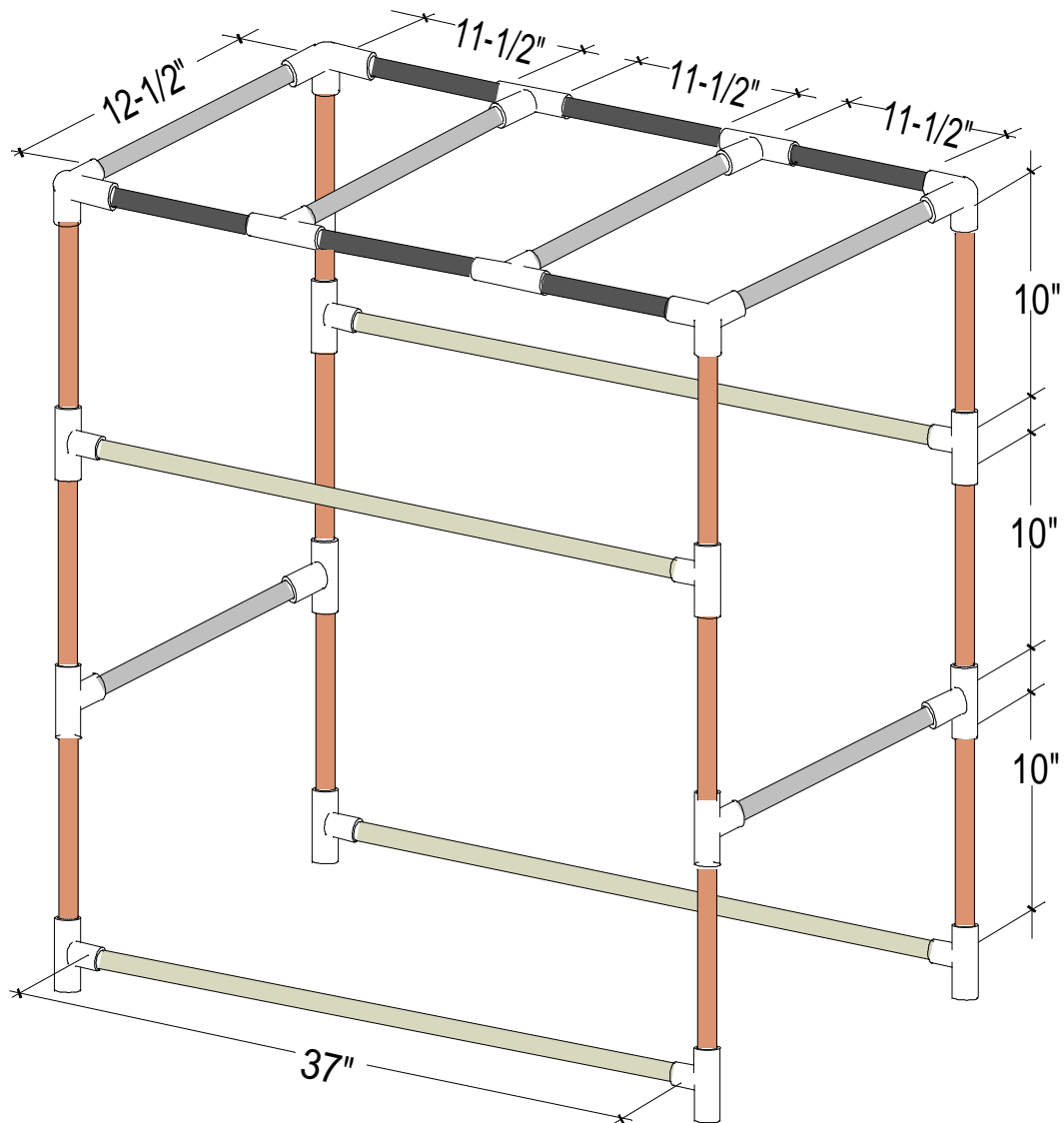


## Materials List



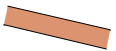

*\* See pages 10 and 11 for Design Notes*

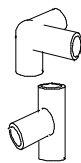
	(1) 37" Cut PVC		(4) 2" Cut PVC (To Connect "T" Joints)
	(18) 18" Cut PVC		(4) 90 Slip Side Outlet 90 Degree El
	(6) 27 - 1/2" Cut PVC		(10) 90 Degree T - Socket
	(2) 30 - 1/2" Cut PVC		(6) Cross Socket
	(2) 4" Cut PVC		(2) 90 Degree El - Socket
All PVC is 3/4" Schedule 40			

# Dishwashing Stand



## Materials List *\* See pages 10 and 11 for Design Notes*

-  (6) 12 - 1/2" Cut PVC
-  (6) 11 - 1/2" Cut PVC
-  (12) 10" Cut PVC
-  (4) 37" Cut PVC

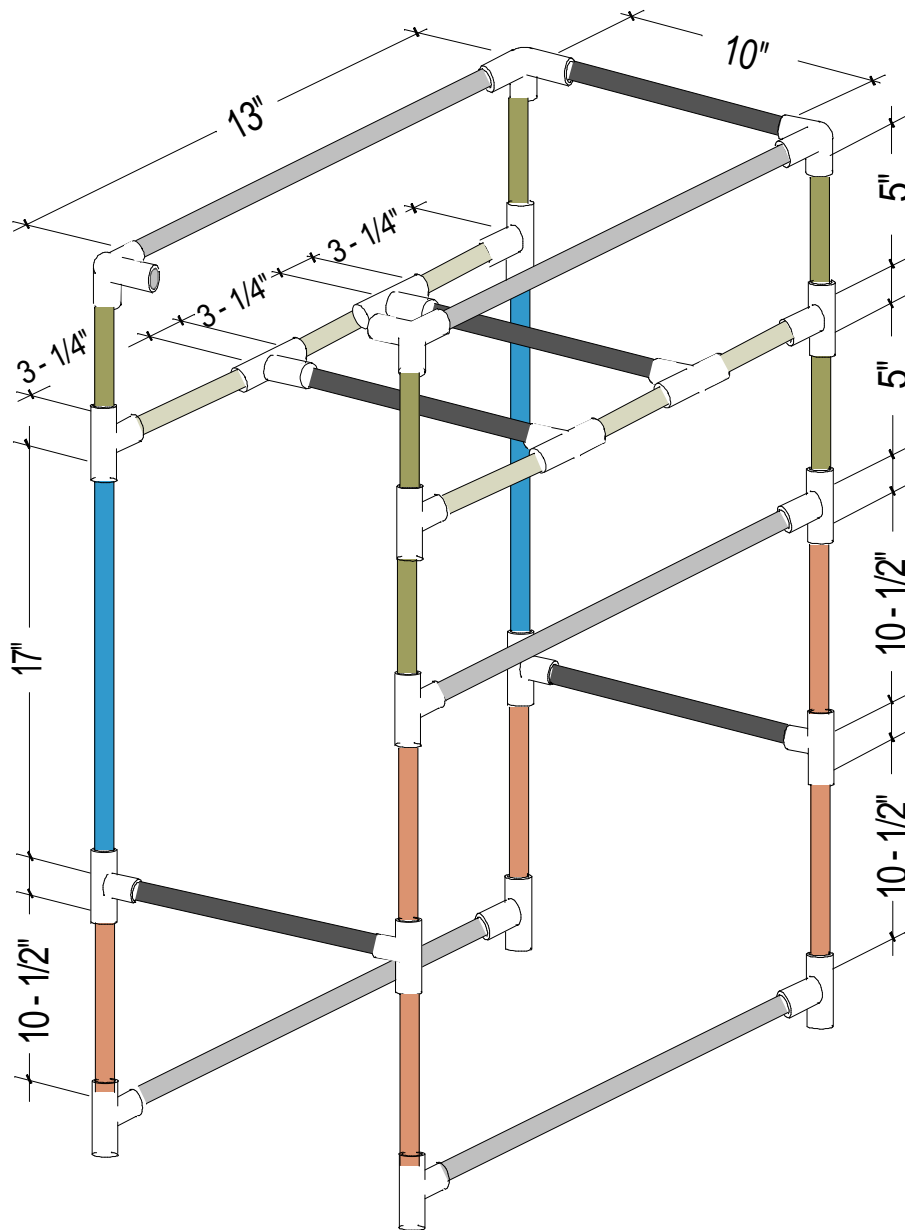


(4) Slip Side Outlet 90 Degree El



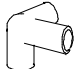


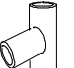
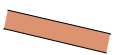

(16) 90 Degree T - Socket

All PVC is 3/4" Schedule 40

# Hand Wash Stand

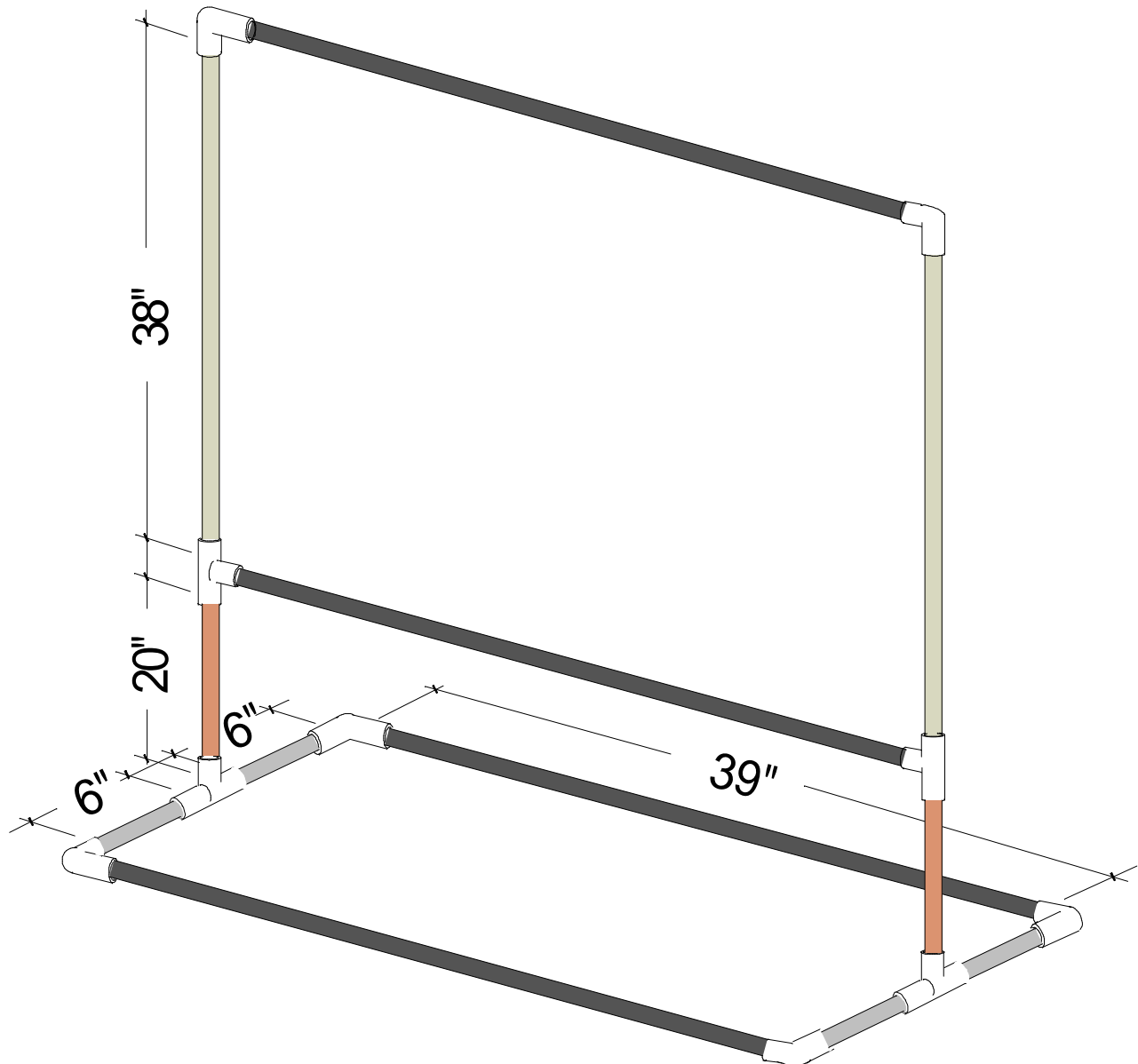


## Materials List *\* See pages 10 and 11 for Design Notes*


- |   |   |  |
|---|---|--|
|  (5) 13" Cut PVC       |  (6) 5" Cut PVC  |  (4) Slip Side Outlet 90 Degree El |
|  (5) 10" Cut PVC       |  (2) 17" Cut PVC |  (18) 90 Degree T - Socket         |
|  (6) 10 - 1/2" Cut PVC |   |  |
|  (6) 3 - 1/4" Cut PVC  |   |  |


All PVC is 3/4" Schedule 40

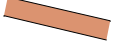
# Banner Frame




## Materials List *\* See pages 10 and 11 for Design Notes*

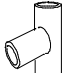
 (4) 6" Cut PVC

 (4) 39" Cut PVC

 (2) 20" Cut PVC

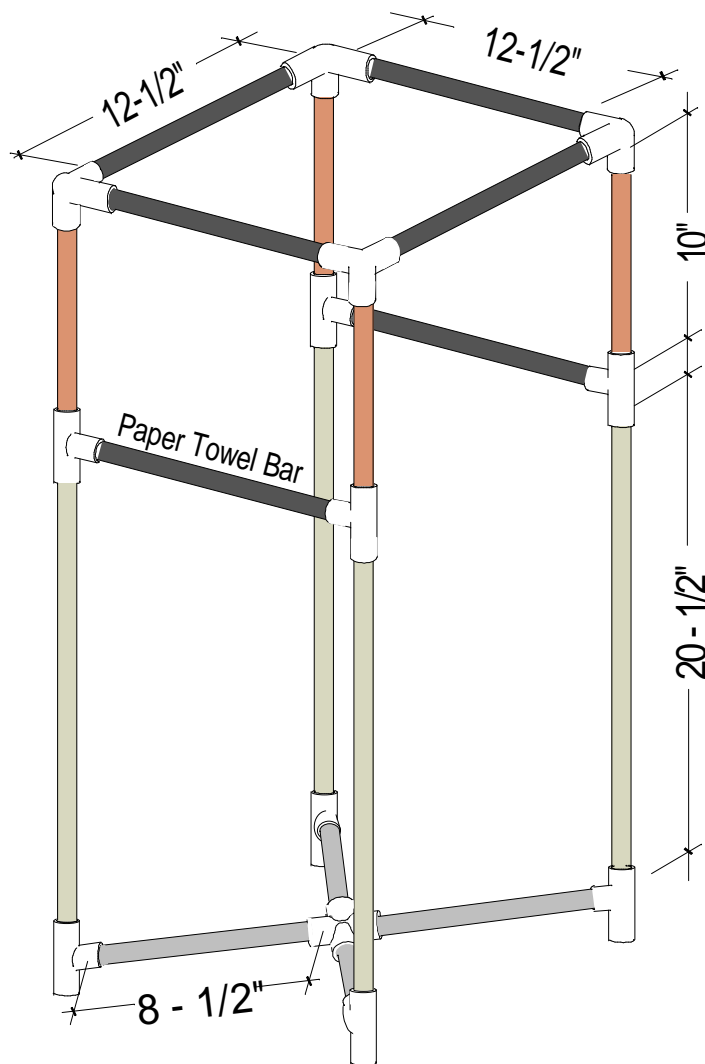
 (2) 38" Cut PVC

 (6) 90 Degree El - Socket

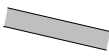
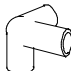

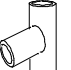
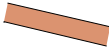
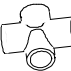
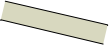
 (4) 90 Degree T - Socket

All PVC is 3/4" Schedule 40

# Wash Stand

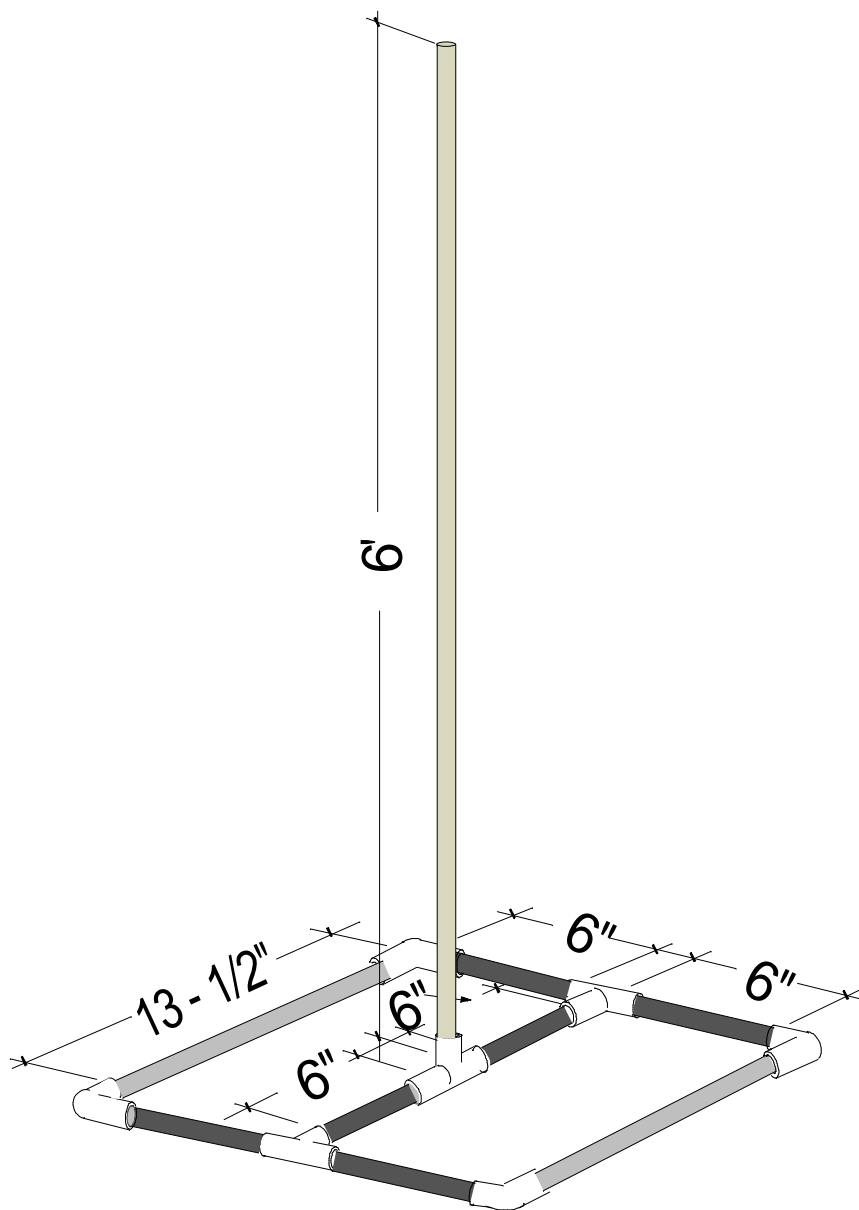


## Materials List *\* See pages 10 and 11 for Design Notes*



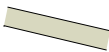
- |   |   |
|---|---|
|  (4) 8 - 1/2" Cut PVC  |  (4) Slip Side Outlet 90 Degree El |
|  (6) 12 - 1/2" Cut PVC |  (8) 90 Degree T - Socket          |
|  (4) 10" Cut PVC       |  (1) Cross Socket                  |
|  (4) 20 - 1/2" Cut PVC |   |



All PVC is 3/4" Schedule 40

# Flag Pole



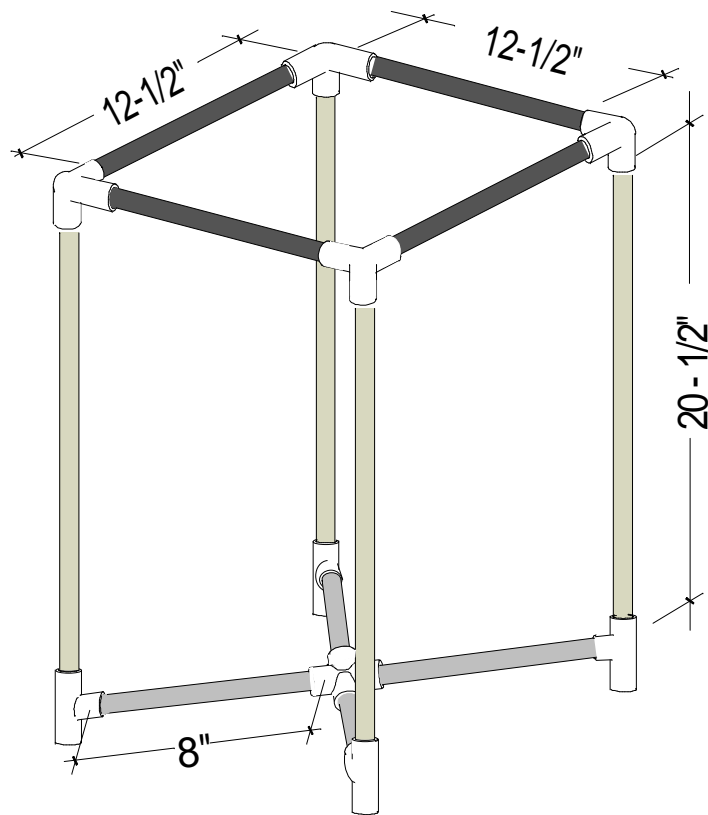
## Materials List *\* See pages 10 and 11 for Design Notes*

-  (2) 13 - 1/2" Cut PVC
-  (6) 6" Cut PVC
-  (1) 6' Cut PVC

-  (4) 90 Degree El - Socket
-  (3) 90 Degree T - Socket

All PVC is 3/4" Schedule 40

# Trash Stand



## Materials List *\* See pages 10 and 11 for Design Notes*

(4) 8" Cut PVC

(4) 12 - 1/2" Cut PVC

(4) 20 - 1/2" Cut PVC



(4) Slip Side Outlet 90 Degree El



(4) 90 Degree T - Socket

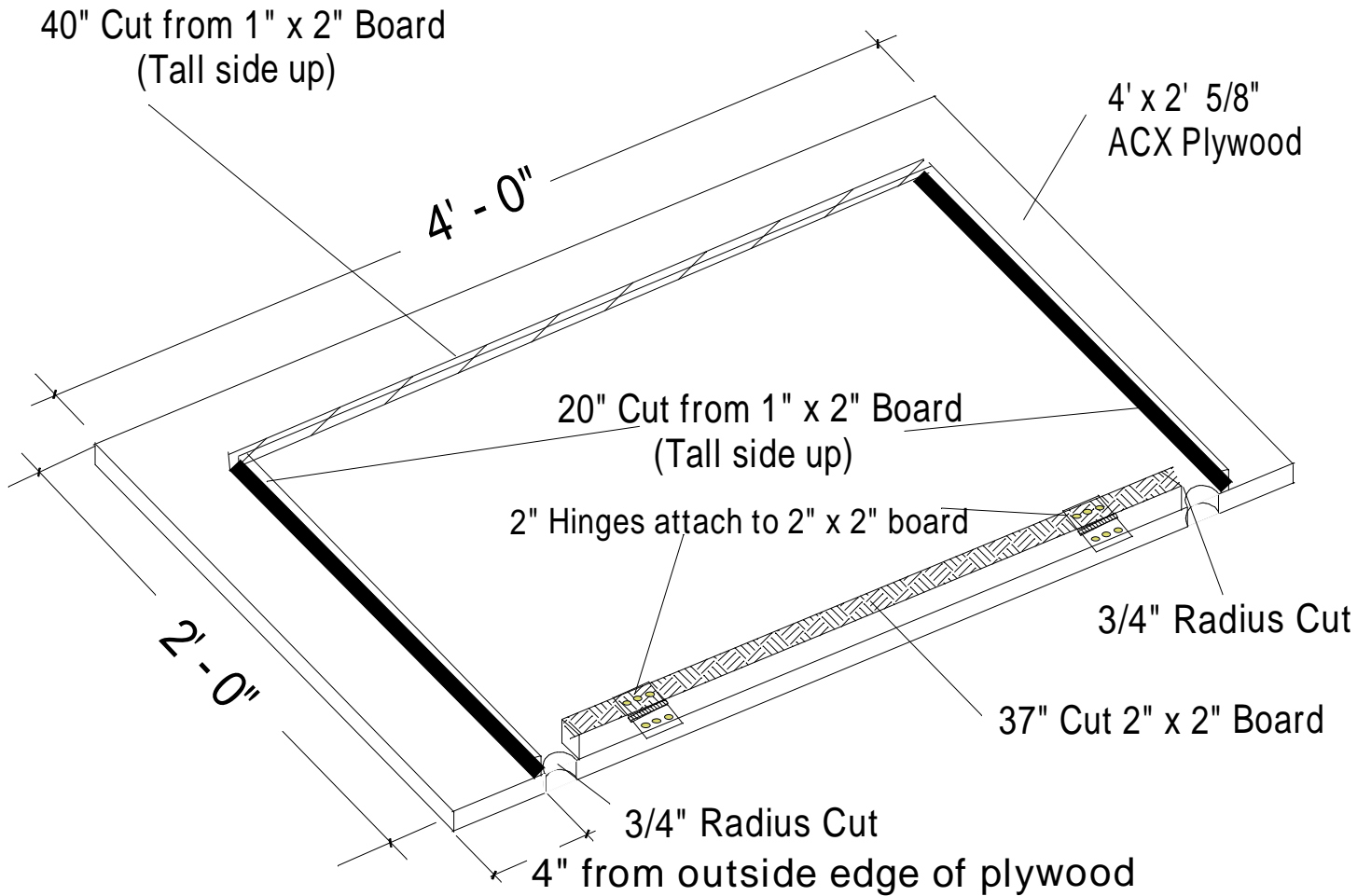


(1) Cross Socket

All PVC is 3/4" Schedule 40


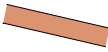




# Table Top



Note: Above figure is the bottom view of 1 of 2 sides of table top.  
 The 2 sides are attached with (2) 2" hinges when top is folded.  
 All edges of ACX Plywood should be beveled and sanded.  
 When folded, two sides will make a box which can store table pieces.  
 A hook & eye can be used to secure two side closed.

## Materials List *\* See pages 10 and 11 for Design Notes*

- |  |  |
|--|--|
|  (2) 4' x 2' 5/8" ACX Plywood |  (2) 37" Cut 2" x 2" Board |
|  (4) 20" Cut 1" x 2" Board    | (24) 1-1/2" Wood Screws  |
|  (2) 40" Cut 1" x 2" Board    |  |